

Description : START LINE BOX - OPTION 01

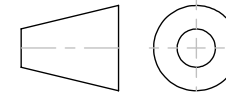
Code : AL4424

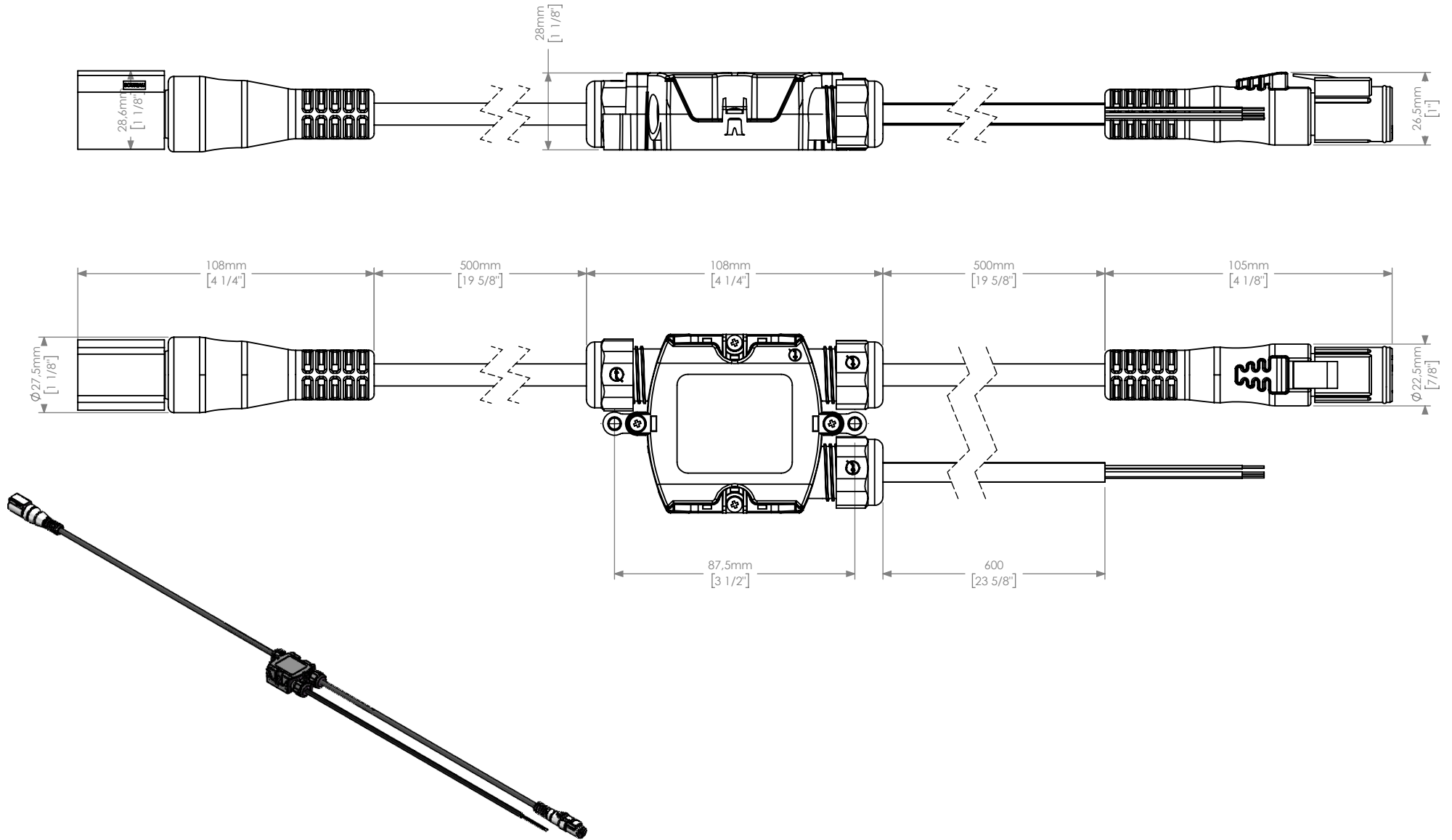
Scale : 1:2

SHEET 1 OF 2

Revision : 03

DIMENSIONS ARE IN MILLIMETERS [BRACKETED DIMENSIONS ARE IN INCHES]





Description : START LINE BOX - OPTION 02

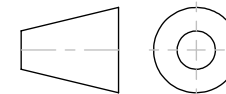
Code : AL4424

Scale : 1:2

SHEET 2 OF 2

Revision : 03

DIMENSIONS ARE IN MILLIMETERS [BRACKETED DIMENSIONS ARE IN INCHES]



**GRIVEN** 

<http://www.griven.com>